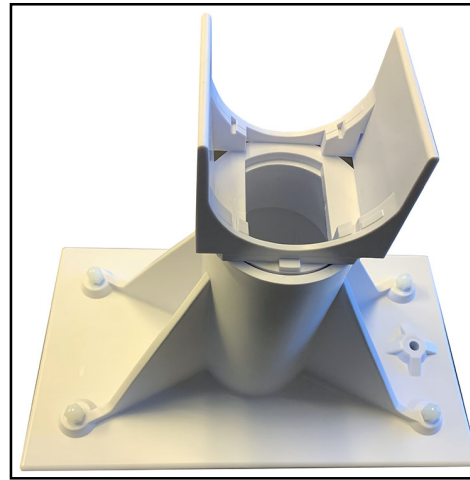
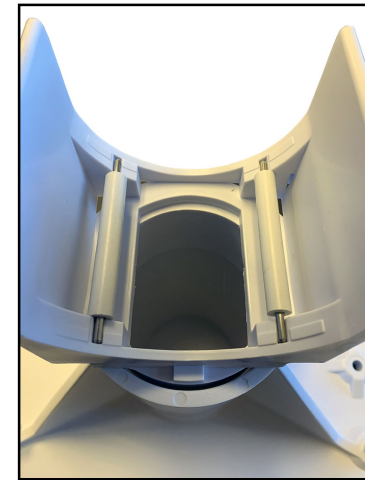


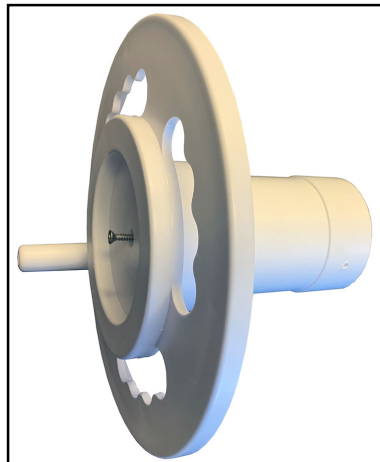
#1 : Drill pilot hole through base attachment
Fastened with screws



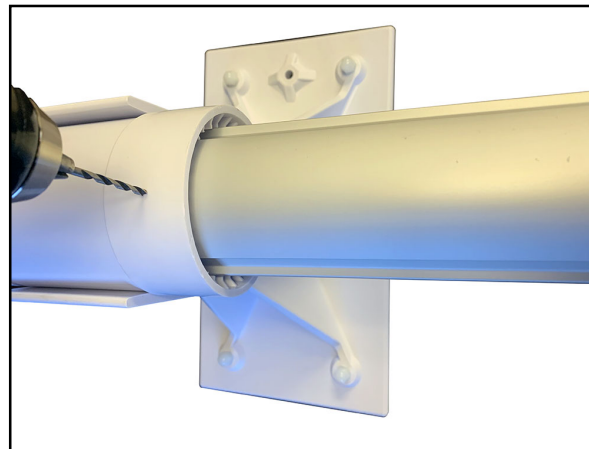
#2 : Place “U” holders on each
stand



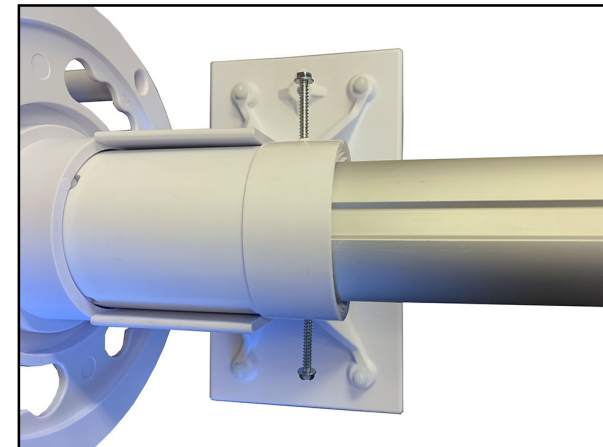
#3 : Insert small metal rods into small
cylinders and place in “U” holder



#4 : Insert tube holder into hand
roller and fastened with 1 inch
screw. Repeat for other side



#5 : Place hand roller assembly into “U”
holder. Insert solar roller tube. Make
sure it's in all the way. Drill pilot hole
through tube holder and tube. Fastened
with 1-1/2 inch screw



#6 : Turn hand roller 180 degrees and drill
second pilot hole. Fastened with 1-1/2
inch screw. Repeat for other side.

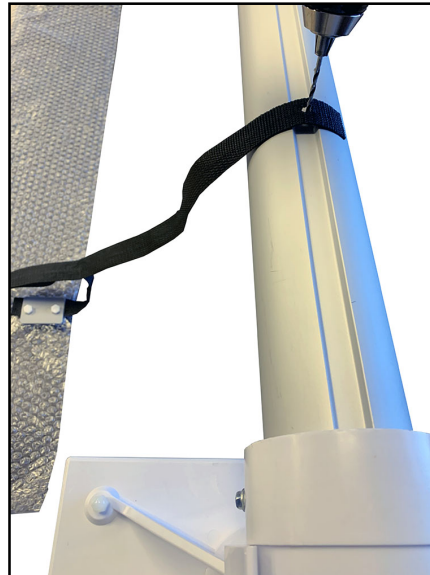
Important : When you attach the straps to the solar cover they must be spread out evenly across the solar cover. The straps length must be adjusted in function of the shape of the pool



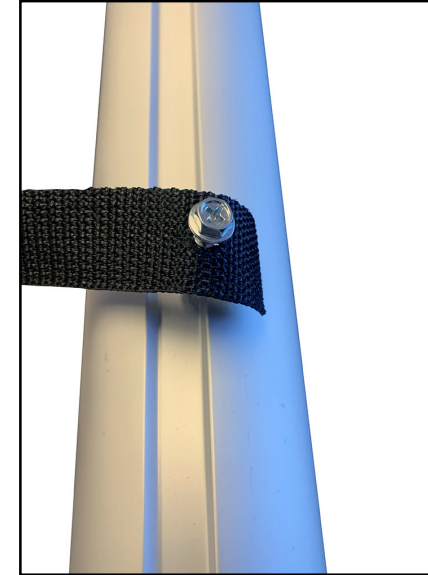
#7 : Insert nylon screws through plate, strap and solar blanket



#8 : Place second plate on top and fasten with nylon nuts



#9 : Measure out proper length of strap. Drill pilot hole through strap and roller tube



#10 : Fastened with 1-1/2 inch screw